

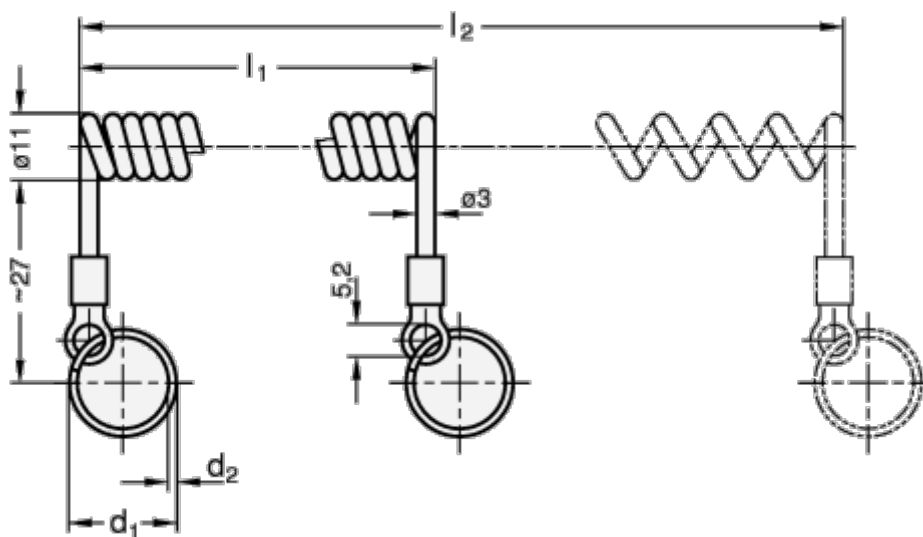
Data Sheet



Article number: 201563331

Description: E+G Spiral retaining cable
GN 111.4-200-14

Measures



d1	= 14
d2	= 1.0
l1	= 200
l2	= 1000
Max static load (KN)	= 50